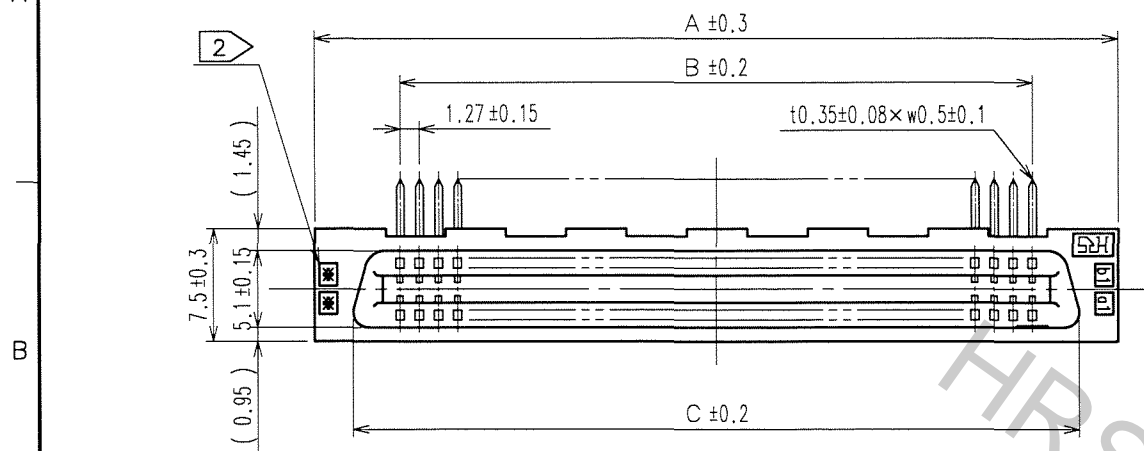


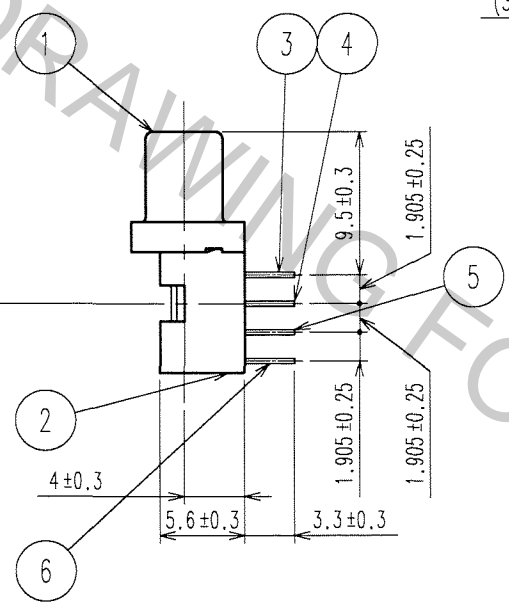
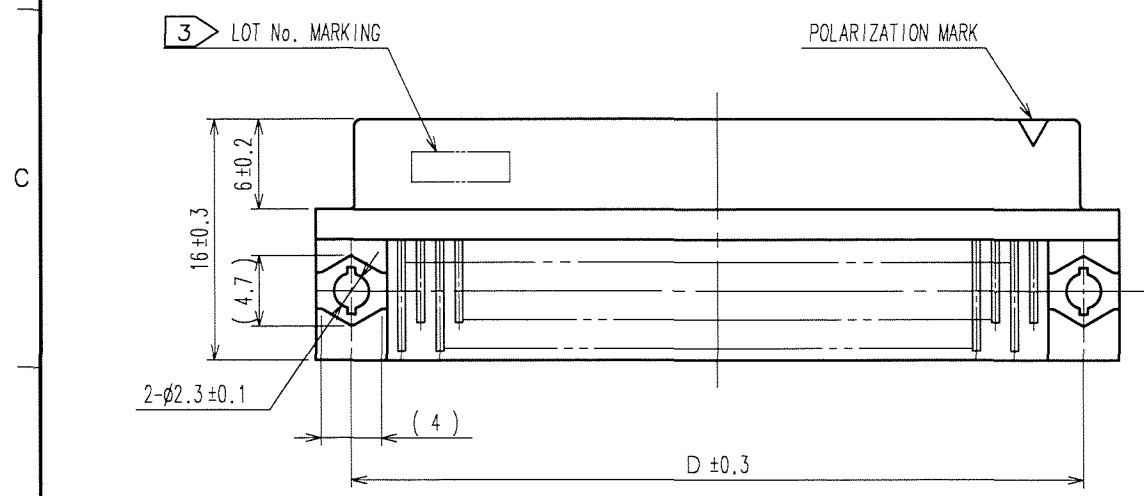
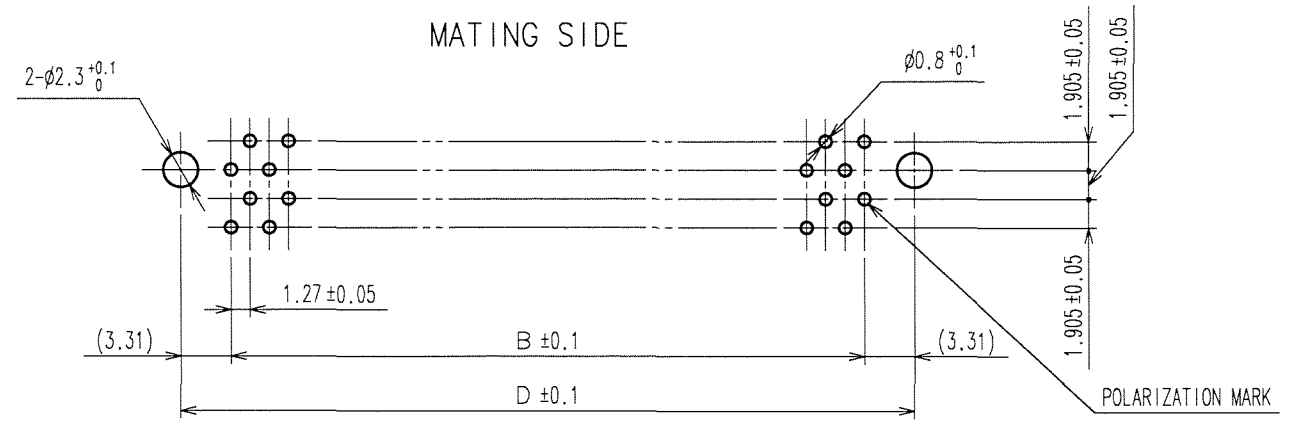
Sep.1.2017 Copyright 2017 HIROSE ELECTRIC CO., LTD. All Rights Reserved.

COUNT	DESCRIPTION OF REVISIONS	BY	CHKD	DATE	COUNT	DESCRIPTION OF REVISIONS	BY	CHKD	DATE



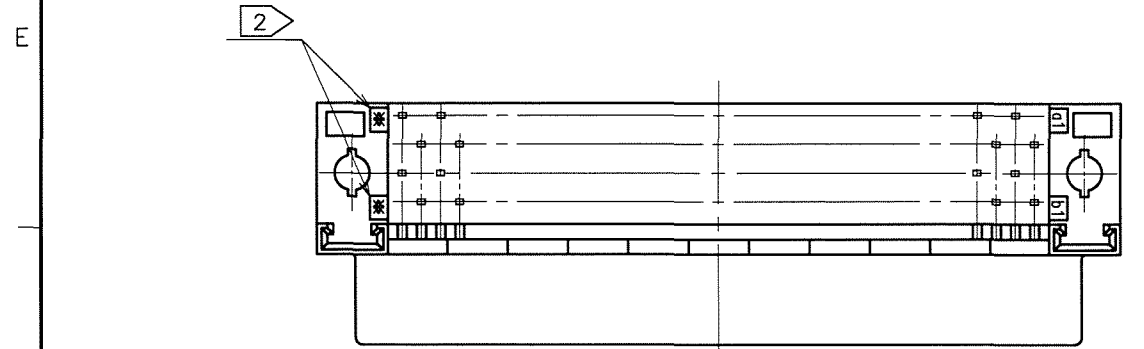
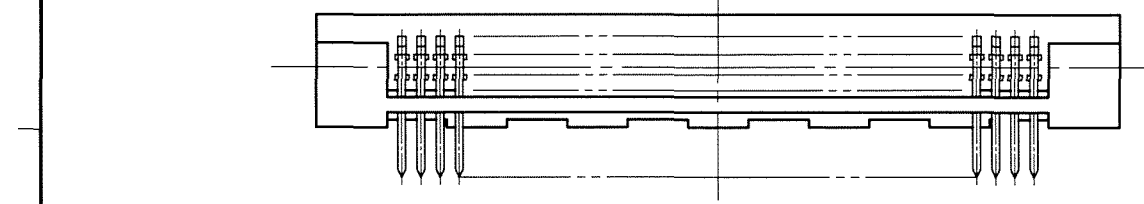
RECOMMENDED PC BOARD HOLE PATTERN (MOUNTING SIDE)

t=1.6



PART No.	HRS No.	1	A	B	C	D	2
FX2-20S-1.27DS(71)	CL572-2701-0-71	20	22.75	11.43	17.63	18.05	10
FX2-32S-1.27DS(71)	CL572-2702-3-71	32	30.37	19.05	25.25	25.67	16
FX2-40S-1.27DS(71)	CL572-2703-6-71	40	35.45	24.13	30.33	30.75	20
FX2-52S-1.27DS(71)	CL572-2704-9-71	52	43.07	31.75	37.95	38.37	26
FX2-60S-1.27DS(71)	CL572-2705-1-71	60	48.15	36.83	43.03	43.45	30
FX2-68S-1.27DS(71)	CL572-2706-4-71	68	53.23	41.91	48.11	48.53	34
FX2-80S-1.27DS(71)	CL572-2707-7-71	80	60.85	49.53	55.73	56.15	40
FX2-100S-1.27DS(71)	CL572-2708-0-71	100	73.55	62.23	68.43	68.85	50
FX2-120S-1.27DS(71)	CL572-2709-2-71	120	86.25	74.93	81.13	81.55	60

NOTE
 1 NUMBER OF PIN.
 2 INDICATIONS.
 3 SURFACE INDICATED LOT NO. SHALL BE OPTIONAL.
 4 THE DIMENSIONS IN PARENTHESES ARE FOR REFERENCE.



TO
PCK

2	POLYAMIDE	BLACK UL94V-0	3~6	PHOSPHOR BRONZE	CONTACT AREA : GOLD 0.2μ m min. DIP AREA : TIN-PLATING 2μ m min. UNDER PLATING : NICKEL 2μ m min.	
1	POLYAMIDE	BLACK UL94V-0				
NO.	MATERIAL	FINISH, REMARKS	NO.	MATERIAL	FINISH, REMARKS	
CODE NO.(OLD) CL		DRAWN S.KAMIGA '06.03.25	DESIGNED <i>K. Nakamura</i> '06.03.27	CHECKED <i>K. Ozawa</i> '06.03.27	APPROVED <i>H. Kawa</i> '06.03.27	RELEASED
DRAWING NO. EDC3-083295-21			PART NO. FX2-***S-1.27DS(71)			
SCALE FREE			CODE NO. CL572			
UNITS mm			HRS HIROSE ELECTRIC CO., LTD			